

Artwork by
Roger Angeles

UVP PREISLISTE | AT 2021/22

Solidsteel Zenith is an **innovative headphones stand**, made with modern production techniques and ecological materials, with an elegant and contemporary design that guarantees **perfect stability and balance** with an **extremely low weight**.

The stand allows the positioning of **any type of headset**, with the most different style and dimensions, adapting perfectly to any environment and surface thanks to its **non-slip rubberized silicone supports**.

Solidsteel Zenith is a great accessory meant to embellish a personal musical space, as well as a home or professional studio recording desk.

This headphones stand is made by **3D Printing** using **100% renewable PLA plastic**.



ZENITH
PROFESSIONAL
HEADPHONES STAND

MOD.	RETAIL PRICE (TAXin.)
Zenith	EUR 59,99

MOD.	DESCRIPTION	Ext DIMENSIONS. (WxDxH mm)	WEIGHT	COLOURS
Zenith	Professional Headphones Stand	80x155x200	270 gr	Silver



MOD.

RETAIL
PRICE
(TAXin.)

WS-5		EUR 449,99
------	--	------------



MOD.	DESCRIPTION	Ext DIMENSIONS. (LxPxA mm)	Inn. DIMENSIONS (WxDxH mm) & Weight	COLOURS
WS-5	Turntable Wall-Shelf	550x470x160/50	550x470x160/50 13 Kg	Black

The **WS-5** is a rock-solid platform delivering reference-level isolation at an attainable price, weighing in at a massive 13 Kg (28 lbs). Form follows function, the **WS-5 supports even the heaviest of turntables**. Heavy gauge steel for the perimeter and the massive wall plate are complemented by graceful ouches adding air and life to what might otherwise have been a monolithic design. Rated to handle **up to 60 Kg (130 lbs)** with a large shelf (500 x 410 x 19 mm | 19.5" x 16.25" x 0.74"), the WS-5 works with almost any 'table made. Ridiculously sturdy, WS-5 touts a massive (50 mm | 2") tall by (25 mm | 1") thick steel outer frame welded to an extremely thick (150 mm | 6" tall) back plate. Ditto the proprietary Duraluminum isolation cones. **Leveling of the MDF shelf** (500x410x19 mm, laminate black finish) may be fine-tuned via the **four cone cups** using an Allen key (always included). The Italian-made WS-5 can even be mounted on brick and concrete provided you employ the proper connectors.



MOD.	DESCRIPTION	Ext DIMENSIONS. (WxDxH mm)	Inn. DIMENSIONS (WxDxH mm) & Weight	COLOURS
VL-2	Vinyl Storage Hi-Fi Rack	1280x410x465	480x410x325 2 Shelves, 26 Kg	Black Walnut White Walnut
VL-3	Vinyl Storage Hi-Fi Rack	1280x410x711	480x410x325/225 3 Shelves, 37 Kg	Black Walnut White Walnut
VL-4	Vinyl Storage Hi-Fi Rack	1280x410x958	480x410x325/225/225 4 Shelves, 51 Kg	Black Walnut White Walnut

MOD.	RETAIL PRICE (TAXin.)
VL-2 Black/White	EUR 679,99
VL-3 Black/White	EUR 949,99
VL-4 Black/White	EUR 1.199,99

Our catalog is enriched with an essential and **innovative** range of supports designed to meet the most current needs of music lovers. Whether you already have a large collection of LPs, or you are just enriching it, whether you have a Hi-Fi system, or you are just setting it up step by step, this precious product range is a perfect solution for all ambients.

By depending on various LP's dimensions, **you can storage about 120 records per each level.** If your collection is too big, no worries: ask us for Extra-Kits able of expanding the available space.

The **frame** is made up of parts from our famous **S Series**, all the screws are galvanized, frame pillars are made of anodized aluminum, carefully filled with an **absorbent phono sponge** to dampen vibrations.

The various metal particulars are all galvanized and finished in powder-coated for avoiding any risk of rust over time.

The VL Series is composed of **MDF shelves - 1280x410 mm**, with a thickness of 22 mm - finished with high quality polymeric laminates in Walnut finish.



Stands specifically designed for essential solutions, available only with three, four or five-level configurations.

The **"S2 Series"** is our **entry-level product range**. This furniture is entirely modular and consists of shelves in MDF wood (580x430 mm, thickness 22 mm) in black melamine assembled on a metal frame of excellent Italian quality. The tubes are in anodized aluminum (30 mm in diameter); the screws, the upper and lower terminals made of galvanized metal (anti-rust), subsequently powder-coated; the traditional adjustable steel spikes (M8 of thread for eventual casters, not sold and not included).

Products always include our "S Series Pads - protective floor discs in Inox", for a perfect efficiency of the stand.

The article is designed to support and enhance audio components such as: turntables, digital sources / players, amplifiers, DACs, streamers, radios, signal equalizers and portable PCs (well placed on the top shelf). It is not possible to modify the heights between the shelves with any customization kit.

Available only in black finish.

MOD.	RETAIL PRICE (TAXin.)
S2-3	EUR 339,99
S2-4	EUR 399,99
S2-5	EUR 459,99

S2-3

Outer Dimensions (mm):

W 584; D 430; H 586

Inner Dimensions (mm):

W 500; D 430;

H 220/220

Total weight: 17 Kg

Shelf sustainability: 50 Kg per each one

S2-4

Outer Dimensions (mm):

W 584; D 430; H 828

Inner Dimensions (mm):

W 500; D 430;

H 220/220/220

Total weight: 23 Kg

Shelf sustainability: 50 Kg per each one

S2-5

Outer Dimensions (mm):

W 584; D 430; H 1070

Inner Dimensions (mm):

W 500; D 430;

H 220/220/220/220

Total weight: 28 Kg

Shelf sustainability: 50 Kg per each one

The “S3 Series” is our **reference range** of Hi-Fi racks. These products are pure expression of our passion for music and, more in general, for the audiophile world. All materials are carefully made and selected, combined for finest efficiency. **The frame** and its screws are made by galvanized metal parts, varnished with powder. Anodized aluminium for the poles, which are also filled with damping material (sound absorbing foam). On the bottom our historical spikes, in stainless steel (M8 of thread), always adjustable. **The shelves** (of dimensions 580x430 mm, with 30 mm of thickness) are in **enobled MDF wood** finished with beautiful polymer laminate of superb quality. The racks are all modular, each level’s height can be customized (min 145 mm and max 365 mm) and it’s possible as well to add extra shelves after the purchase. Our “S Series Pads - protective floor discs” are always included into each S3 product. A maximum of 60 kg can be loaded for each shelf. The power amp stands can support up to 120 kg.

MOD.	DESCRIPTION	Ext DIMENSIONS. (WxDxH mm)	Inn. DIMENSIONS (WxDxH mm) & Weight	COLOURS
S3-A	Power Amp Stand	430x584x125	430x584x000 7 Kg	Black, White, Walnut
S3-B	Power Amp Stand	404x480x125	404x480x000 6 Kg	Black, White, Walnut
S3-2	Hi-Fi Rack 2 Shelves	584x430x475	500x430x325 15 Kg	Black, White, Walnut
S3-3	Hi-Fi Rack 3 Shelves	584x430x670	500x430x245/245 22 Kg	Black, White, Walnut
S3-4	Hi-Fi Rack 4 Shelves	584x430x905	500x430x245/225/225 27 Kg	Black, White, Walnut
S3-5	Hi-Fi Rack 5 Shelves	584x430x1065	500x430x205 on 4 levels 35 Kg	Black, White, Walnut



MOD.	RETAIL PRICE (TAXIn.)
S3-A Walnut	EUR 259,99
S3-B Walnut	EUR 249,99
S3-2 Walnut	EUR 379,99
S3-3 Walnut	EUR 549,99
S3-4 Walnut	EUR 729,99
S3-5 Walnut	EUR 899,99

MOD.	RETAIL PRICE (TAXIn.)
S3-A Black/White	EUR 229,99
S3-B Black/White	EUR 219,99
S3-2 Black/White	EUR 349,99
S3-3 Black/White	EUR 494,99
S3-4 Black/White	EUR 649,99
S3-5 Black/White	EUR 799,99



S Series Pads (set of 4)	EUR 34,99
-----------------------------	-----------



MOD.	DESCRIPTION	Ext DIMENSIONS. (WxDxH mm)	Inn. DIMENSIONS (WxDxH mm) & Weight	COLOURS
S4-2	Hi-Fi AV Rack 2 Shelves	1114x430x475	500x430x325 28 Kg	Black, White
S4-3	Hi-Fi AV Rack 3 Shelves	1114x430x670	500x430x245/245 42 Kg	Black, White
S4-4	Hi-Fi AV Rack 4 Shelves	1114x430x905	500x430x245/225/225 60 Kg	Black, White

MOD.	RETAIL PRICE (TAXin.)
S4-2 Black/White	EUR 619,99
S4-3 Black/White	EUR 889,99
S4-4 Black/White	EUR 1.149,99

The “S4 Series” is the alternative wide version of our traditional range of furniture for Hi-Fi and AV components.

Ideal as well for TVs within 49” of width. The inner shelves proportions are the same adopted for the S3 Series racks.

All the materials are carefully made and selected, exclusively of Italian origin. **The frame** is made by galvanized metal parts, varnished with powder, with screws and anodized aluminium poles filled with damping material (sound absorbing foam). The bottom spikes are our historical adjustable Inox tips (M8 of thread).

The shelves (of dimensions 1114x430 mm, with 30 mm of thickness) are in **enobled MDF** wood finished with beautiful polymer laminate of high quality.

Since the racks are all modular, each level’s height can be customized (min 145 mm and max 365 mm) and it’s possible as well to add extra shelves after the first purchase.

Our “S Series Pads - protective floor discs” are always included into each S4 product.



MOD.	DESCRIPTION	Ext DIMENSIONS. (WxDxH mm)	Inn. DIMENSIONS (WxDxH mm) & Weight	COLOURS
S5-2	Hi-Fi Rack 2 Shelves	584x430x500	500x430x305 24 Kg	Black, White, Silver-Black <i>(30th Anniversary)</i>
S5-3	Hi-Fi Rack 3 Shelves	584x430x755	500x430x305/205 30 Kg	Black, White, Silver-Black <i>(30th Anniversary)</i>
S5-4	Hi-Fi Rack 4 Shelves	584x430x1010	500x430x305/205/205 37 Kg	Black, White, Silver-Black <i>(30th Anniversary)</i>
S5-5	Hi-Fi Rack 5 Shelves	584x430x1085	500x430x185 on 4 levels 47 Kg	Black, White, Silver-Black <i>(30th Anniversary)</i>

MOD.	RETAIL PRICE (TAXin.)
S5-2 All Colours	EUR 499,99
S5-3 All Colours	EUR 729,99
S5-4 All Colours	EUR 949,99
S5-5 All Colours	EUR 1.179,99



“X Plate”'s dimensions of 450x405x19 mm

The “S5 Series” is the **most advanced** line between our “S Series” range of traditional audio furniture.

These racks are technically featured by their **double-adjustable-shelf system**: the lower shelves are supporting the higher ones. These small surfaces (called “X Plates”) are positioned on the larger ones thanks to 4 aluminium cones per each level. Once regulated, every shelf is able of damping vibrations at its best thanks to our engineered system. **Highly recommended for turntable and tube amplifiers owners.**

The frame is made by galvanized metal parts, varnished with powder, with screws and anodized aluminium poles filled with damping material (sound absorbing foam). On the bottom there are our iconic adjustable Inox spikes (M8 of thread).

The shelves (main: 584x430 mm, with 30 mm of thickness; “X Plate”: 450x405, with 19 mm of thickness) are in **ennobled MDF** wood finished with beautiful polymer laminate of high quality.

Since the racks are all modular, each level's height can be customized (min 145 mm and max 345 mm) and it's possible as well to add extra shelves after the purchase.

Our “S Series Pads - protective floor discs” are always included into each S5 product.

UVP PREISLISTE | AT 2021/22



MOD.	RETAIL PRICE (TAXin.)	MOD.	DESCRIPTION	Ext. DIMENSIONS (WxDxH mm) & Weight	COLOURS	MOD.	RETAIL PRICE (TAXin.)
NS-4	EUR 274,99	NS-4	Pair of Bookshelf Speaker Stands Top Plates of 160x160 mm	230x280x425 10 Kg	Black	SS-5	EUR 469,99
NS-6	EUR 289,99	NS-6	Pair of Bookshelf Speaker Stands Top Plates of 160x160 mm	230x280x625 10 Kg	Black	SS-6	EUR 479,99
NS-7	EUR 309,99	NS-7	Pair of Bookshelf Speaker Stands Top Plates of 160x160 mm	230x280x725 11 Kg	Black	SS-7	EUR 499,99
NS-10	EUR 389,99	NS-10	Pair of Bookshelf Speaker Stands Top Plates of 160x160 mm	230x280x1020 14 Kg	Black	SS Series Pads	EUR 49,99
NS Series Pads	EUR 59,99	SS-5	Pair of Bookshelf Speaker Stands Top Plates of 190x190 mm	330x310x525 11 Kg	Black, White, Raw	SS Top Plates 190x190 mm	EUR 49,99
NS Series Pads Set of 8 Mini Floor Inox Discs [INCLUDED]		SS-6	Pair of Bookshelf Speaker Stands Top Plates of 160x160 mm	330x310x625 12 Kg	Black, White, Raw	SS Series Pads Set of 6 Mini Floor Inox Discs [INCLUDED]	
		SS-7	Pair of Bookshelf Speaker Stands Top Plates of 160x160 mm	330x310x725 13 Kg	Black, White, Raw		

The “HY Series” is our regular **Hyperspike range** with a four-pillar stainless steel frame configuration.

Since their launch in 2018, these **High-End racks** became popular in a few months and are the ideal choice for those who aim for an excellent stand with capacious shelves, heavy hardware parts and awesome finishes at an affordable price.

The frame is exclusively made by **stainless steel Inox parts** (40 mm of diameter) turned from full. The bottom parts are equipped by our traditional **adjustable inox spikes** (M8 of thread).

The shelves (dimensions of 600x500 mm for the “Standard” version; 780x500 for the “Large” one; 30 mm of thickness) are in **MDF ennobled wood**, lacquered in a beautiful flat black finish.

Since the racks are all modular, each level’s height can be customized (min 145 mm and max 325 mm) and it’s possible as well to add extra shelves after the purchase.



MOD.	DESCRIPTION	Ext DIMENSIONS. (WxDxH mm)	Inn. DIMENSIONS (WxDxH mm) & Weight	COLOURS
HY-A	Power Amp Stand	404x600x130	404x600 8 Kg	Flat Black
HY-B	Power Amp Stand	404x480x130	404x480 7 Kg	Flat Black
HY-2	High-End Rack 2 Shelves	600x500x445	508x500x285 28 Kg	Flat Black
HY-3	High-End Rack 3 Shelves	600x500x660	508x500x285/185 42 Kg	Flat Black
HY-4	High-End Rack 4 Shelves	600x500x875	508x500x285/185/185 60 Kg	Flat Black
HY-2L	High-End Rack 2 Shelves	780x500x445	688x500x285 33 Kg	Flat Black
HY-3L	High-End Rack 3 Shelves	780x500x660	688x500x285/185 50 Kg	Flat Black
HY-4L	High-End Rack 4 Shelves	780x500x875	688x500x285/185/185 67 Kg	Flat Black



MOD.	RETAIL PRICE (TAXin.)
HY-A	EUR 439,99
HY-B	EUR 434,99
HY-2	EUR 1.099,99
HY-3	EUR 1.674,99
HY-4	EUR 2.174,99
HY-2L	EUR 1.349,99
HY-3L	EUR 2.049,99
HY-4L	EUR 2.649,99



MOD.	RETAIL PRICE (TAX in.)
HF-A	EUR 589,99
HF-B	EUR 579,99
HF-2	EUR 1.489,99
HF-3	EUR 2.149,99
HF-4	EUR 2.899,99



The “**HF Series**” is our famous and **historical Hyperspike line** with a four-pillar frame made of full stainless steel parts.

Introduced for the first time **in the audio market in 2006**, it is certainly an iconic symbol of our finest productions.

These incredible **High-End racks** are a guarantee for audio systems: a rock-solid stand of exceptional value with a design carved over time, of unquestionable Italian charm.

The frame is exclusively made by **stainless steel Inox parts** (40 mm of diameter) turned from full. The bottom parts are equipped by our **historical Hyperspikes**.

The shelves (dimensions of 645x561 mm, 30 mm of thickness) are in **MDF ennobled wood**, lacquered in three different beautiful finishes: flat black, gloss black and gloss white. The glossy finishes are very resistant against scratches.

Since the racks are all modular, each level’s height can be customized (min 145 mm and max 365 mm) and it’s possible as well to add extra shelves after the purchase.

MOD.	DESCRIPTION	Ext DIMENSIONS (WxDxH mm)	Inn. DIMENSIONS (WxDxH mm) & Weight	COLOURS
HF-A	Power Amp Stand	404x600x130	404x600x000 8 Kg	Flat Black, Gloss Black, Gloss White
HF-B	Power Amp Stand	404x480x130	404x480x000 7 Kg	Flat Black, Gloss Black, Gloss White
HF-2	High-End Rack 2 Shelves	645x561x540	645x561x305 34 Kg	Flat Black, Gloss Black, Gloss White
HF-3	High-End Rack 3 Shelves	645x561x775	645x561x305/205 48 Kg	Flat Black, Gloss Black, Gloss White
HF-4	High-End Rack 4 Shelves	645x561x1010	645x561x305/205/205 66 Kg	Flat Black, Gloss Black, Gloss White



American Natural Walnut



Indian Rosewood



Indonesian Ebony Macassar (Gloss)

MOD.	DESCRIPTION	Ext DIMENSIONS. (WxDxH mm)	Inn. DIMENSIONS (WxDxH mm) & Weight	COLOURS
HF-2	High-End Rack 2 Shelves	645x561x540	645x561x305 34 Kg	Natural Walnut Indian Rosewood Ebony Macassar
HF-3	High-End Rack 3 Shelves	645x561x775	645x561x305/205 48 Kg	Natural Walnut Indian Rosewood Ebony Macassar
HF-4	High-End Rack 4 Shelves	645x561x1010	645x561x305/205/205 66 Kg	Natural Walnut Indian Rosewood Ebony Macassar

MOD.	RETAIL PRICE (TAXin.)
HF-2 All Colours	EUR 1.999,99
HF-3 All Colours	EUR 2.899,99
HF-4 All Colours	EUR 3.799,99

The **HF Élite Series** is a **premium range upgrade** designed for enriching High-End audio systems.

A top class rack with **veneer wood** shelves in three beautiful finishes: American **Natural Walnut**, Indian **Rosewood** and Indonesian **Ebony Macassar** (with a gloss transparent varnish for an extra luxury effect).

The frame parts of these stands are the same adopted for the HF Series models.

Timber is a traditional material able of being valued in every ambient, whatever a living room, a music or studio room you choose as listening space.

Our aim is always to make products able of lasting in time, with beautiful look and design.



MOD. RETAIL PRICE (TAXin.)

HW-2		EUR 1.279,99
HW-3		EUR 1.924,99
HW-2L		EUR 1.369,99
HW-3L		EUR 2.034,99

MOD.	DESCRIPTION	Ext DIMENSIONS. (WxDxH mm)	Inn. DIMENSIONS (WxDxH mm) & Weight	COLOURS
HW-2	AV Rack 2 Shelves	1090x410x386	998x410x244 40 Kg	Flat Black, Gloss Black, Gloss White
HW-3	AV Rack 3 Shelves	1090x410x620	998x410x224/224 50 Kg	Flat Black, Gloss Black, Gloss White
HW-2L	AV Rack 2 Shelves	1280x410x386	1186x410x244 48 Kg	Flat Black, Gloss Black, Gloss White
HW-3L	AV Rack 3 Shelves	1280x410x620	1186x410x224/224 74 Kg	Flat Black, Gloss Black, Gloss White

The “HW Series” is our top **Hyperspike** range for what concerns the **AV furniture** in our catalogue.

The simplicity of its design is based on the elegance and refinement of its lines. A rack capable of being placed perfectly in any space, whether it is a modern home or a more classic environment. It is no coincidence that it is the product most requested by architects and interior designers within our catalog.

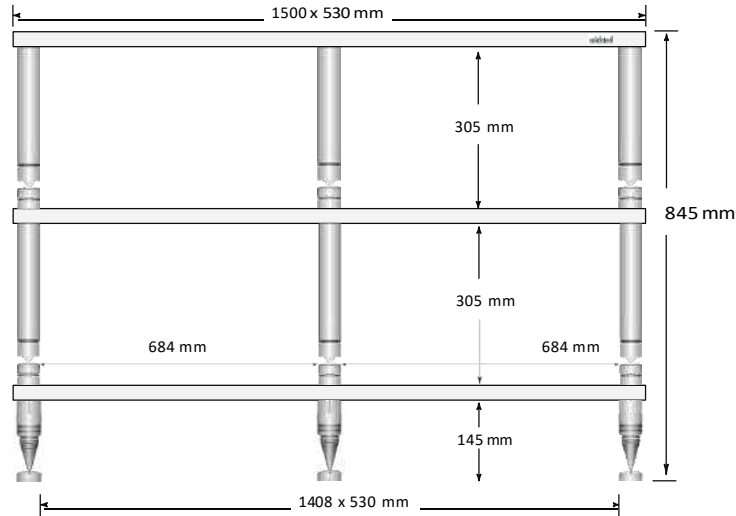
Ideal for TVs up to 49 "in size, there is also compatibility with some 55" models for the "L - Large" version.

The frame is made by stainless steel hardware parts from our Hyperspike range and under request it is also possible to customize it with spikes for increasing the technical level for the High-End components.

The shelves (dimensions of 1090x410 mm for the “Standard” version; 1280x410 for the “Large” one; 30 mm of thickness) are in **MDF ennobled wood**, lacquered in three finishes: flat black, gloss black and gloss white. Since the racks are all modular, each level’s height can be customized (min 145 mm and max 245 mm without spikes; min 145 and max 345 mm with HY/HF spikes) and it’s possible as well to add extra shelves after the first purchase.

AUTUMN 2021

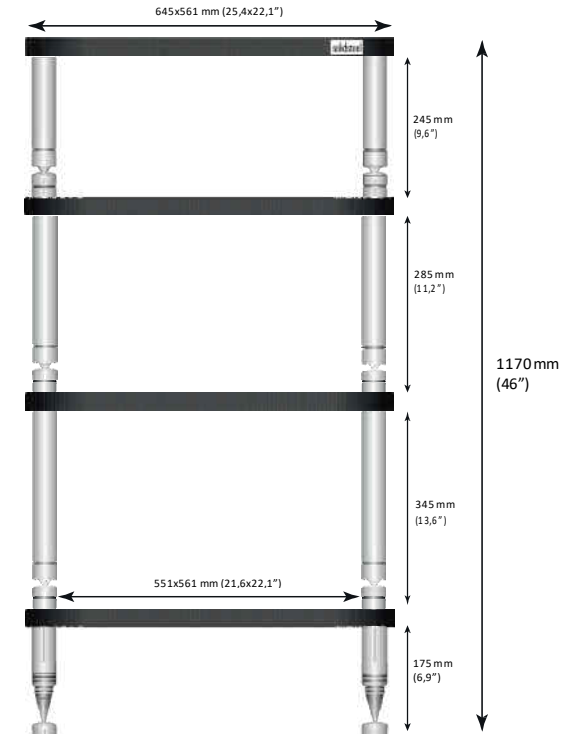
New Design & Exclusive Finishes for Luxury Audio



HFW-3XL [305/305] - Special Hyperspike AV Rack

MOD.	DESCRIPTION	Ext DIMENSIONS. (WxDxH mm)	Inn. DIMENSIONS (WxDxH mm) & Weight	COLOURS
HFW-3	AV Rack 3 Shelves	1500x530x845	684x530x305/305 90 Kg	Flat Black, Gloss Black, Gloss White

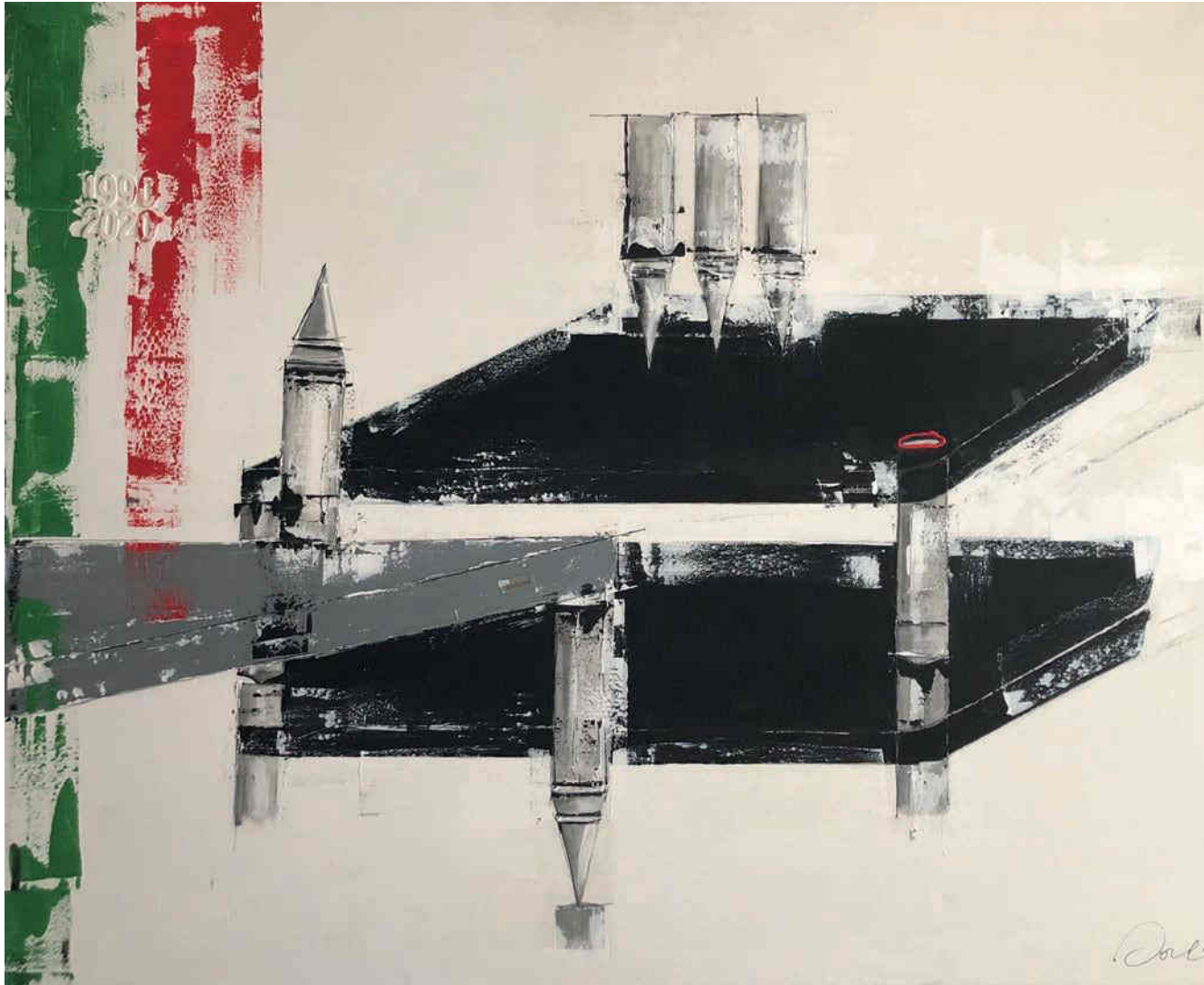
MOD.	RETAIL PRICE (TAXin.)
HFW-3 All Colours	EUR 4.399,99



HF-4 Colossus [345/285/245] - Special Hyperspike AV Rack

MOD.	DESCRIPTION	Ext DIMENSIONS. (WxDxH mm)	Inn. DIMENSIONS (WxDxH mm) & Weight	COLOURS
HF-4 <i>Colossus</i>	High-End Rack 4 Shelves	645x561x1170	645x561/345/285/245 90 Kg	Flat Black, Gloss Black, Gloss White

MOD.	RETAIL PRICE (TAXin.)
HF-4 <i>Colossus</i> All Colours	EUR 3.199,99



Painting by Dora Bellini

Founders of



Partners of

