



Ahead of the Curve®

# Disappears.



## FATHOM® IWS

IN - WALL SUBWOOFER SYSTEMS

The same minds that engineered JL Audio's reference-grade Fathom® and Gotham® powered subwoofers have created an amazing in-wall subwoofer solution, centered on a purpose-engineered, thin-line driver with patented technology.

Housing this exotic driver is a critically engineered enclosure with a unique floating mount design to minimize wall excitation. The enclosure features extensive architectural features aimed at improving rigidity while keeping a very low profile and minimal wall thickness.

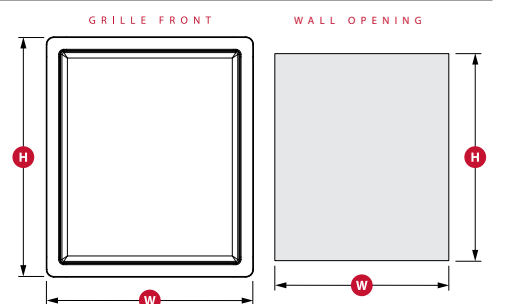
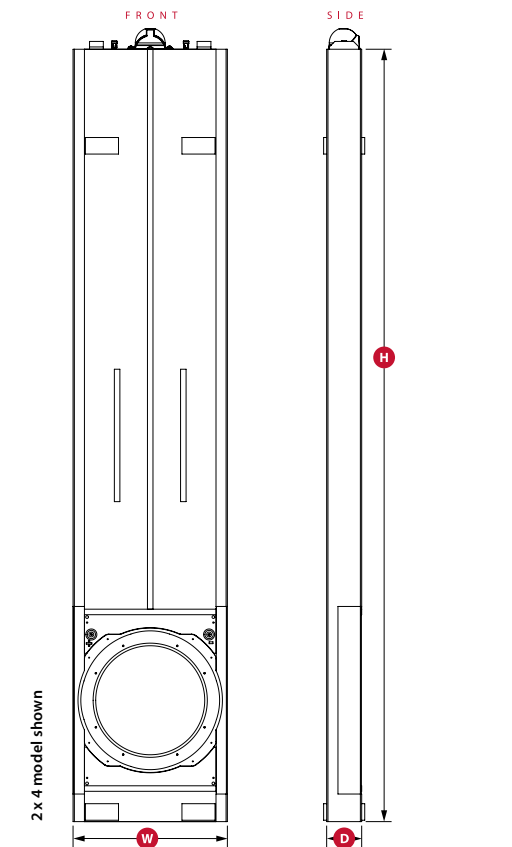
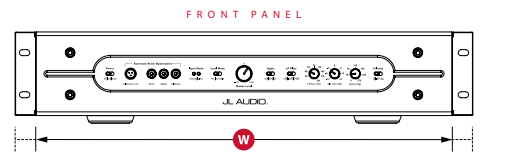
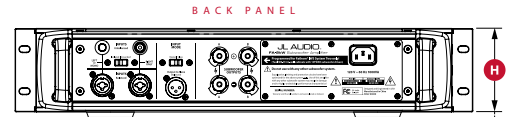
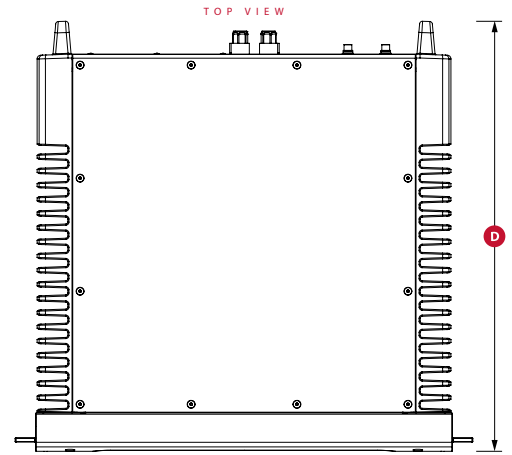
A paintable fine steel-mesh grille, also designed to control vibration, is included for each enclosure in a system.

Each IWS system is driven by a rack-mountable, purpose-tuned amplifier, capable of delivering up to 2 kW of clean power, and armed with serious processing features, including our acclaimed Automatic Room Optimization system.

There is no need to lower your expectations when selecting this remarkable in-wall solution... it's a real Fathom®.

## Fathom® IWS Specifications:

Specifications	Fathom® IWS-SYS-1	Fathom® IWS-SYS-2
<b>Enclosure Type:</b>	Single Sealed Enclosure	Two Sealed Enclosures
<b>Driver(s):</b>	13.5-inch (nominal diameter)	13.5-inch (nominal diameter) in each of two enclosures
<b>Frequency Response (anechoic):</b>	26 Hz - 101 Hz (+/- 1.5 dB) -3dB at 25 Hz / 112 Hz -10dB at 22 Hz / 150 Hz	26 Hz - 101 Hz (+/- 1.5 dB) -3dB at 25 Hz / 112 Hz -10dB at 22 Hz / 150 Hz
<b>Effective Piston Area:</b>	98.26 sq. in. 0.0634 sq. m.	196.51 sq. in. 0.1268 sq. m.
<b>Effective Displacement:</b>	147.3 cu. in. (2.41 liters)	294.6 cu. in. (4.82 liters)
<b>Amplifier Power:</b>	1000 watts RMS short-term	2000 watts RMS short-term
<b>2 x 4 Enclosure Dimensions:</b> (H) Height x (W) Width x (D) Depth Measurements do not include padding material.	70 in. x 13.75 in. x 2.94 in. 1,778 mm x 349 mm x 75 mm	
<b>2 x 6 Enclosure Dimensions:</b> (H) Height x (W) Width x (D) Depth Measurements do not include padding material.	55 in. x 13.75 in. x 4.70 in. 1,397 mm x 349 mm x 119 mm	
<b>Cabinet Finish:</b>	Black Texture-Coated	
<b>Amplifier Dimensions:</b> (H) Height x (W) Width x (D) Depth Height Dimensions DO NOT include feet.	3.5 in. x 17.4 in. x 17.9 in. 89 mm x 442 mm x 455 mm	
<b>Amplifier Net Weight:</b>	35 lbs. (15.9 kg)	43 lbs. (19.5 kg)
<b>Grille Dimensions:</b> (H) Height x (W) Width x (D) Depth	17.25 inches x 20 inches 438 mm x 508 mm	
<b>Wall Opening Dimensions:</b> (W) Width x (H) Height	14.5 inches x 17.25 inches 368 mm x 438 mm	
<b>Grille Finish:</b>	White (paintable)	



## Fathom® IWS Specifications:

<b>Unbalanced Inputs:</b> Stereo or Mono (two RCA jacks)	<b>Low Pass Filter Mode:</b> Off, 12 dB per octave or 24 dB per octave
<b>Balanced Inputs:</b> Stereo or Mono (two female XLR jacks)	<b>Low Pass Filter Crossover Frequency:</b> Variable from 30 Hz – 130 Hz
<b>Output To Slave:</b> Balanced (one male XLR jack)	<b>Polarity:</b> 0 or 180 degrees
<b>Input Modes:</b> Master or Slave	<b>Phase:</b> Variable from 0 – 280 degrees
<b>Level Modes:</b> Reference (fixed gain) or Variable from full mute to +15 dB over reference gain	<b>E.L.F. Trim:</b> Variable from -12 dB to +3 dB at 25 Hz
<b>Power Modes:</b> Off, On or Automatic Signal-Sensing	<b>Automatic Room Optimization (A.R.O.):</b> with included, laboratory-grade calibration microphone, defeatable
<b>Light Modes:</b> Off, On or Dim	<b>Built in USA:</b> Subwoofer Enclosure and Subwoofer Driver (amplifier manufactured in China)

SKU#97184 09-2013  
Printed in U.S.A.



"JL Audio", "Ahead of the Curve", "Gotham", "Fathom" and the JL Audio logo are registered trademarks of JL Audio, Inc.  
©2013 JL Audio, Inc. • U.S. PATENTS: #5,734,734 #5,949,898 #6,118,884 #6,229,902 #6,243,479 #6,294,959 #6,501,844 #6,496,590 #6,441,685 #5,687,247 #6,219,431 #6,625,292 #D472,891 #D480,709 Other U.S. & Foreign patents pending.  
Due to our policy of continuous product development, all specifications are subject to change without notice.

[www.jlaudio.com](http://www.jlaudio.com)

10369 North Commerce Parkway • Miramar, Florida • 33025 • USA

